

Product description

Designed for vibration isolation of machines with speeds of more than 350 rpm.

Can handle loads from 150 to 750 kg.

Components

- Steel spring
- Rubber mount
- Mounting plates
- Galvanised metal parts

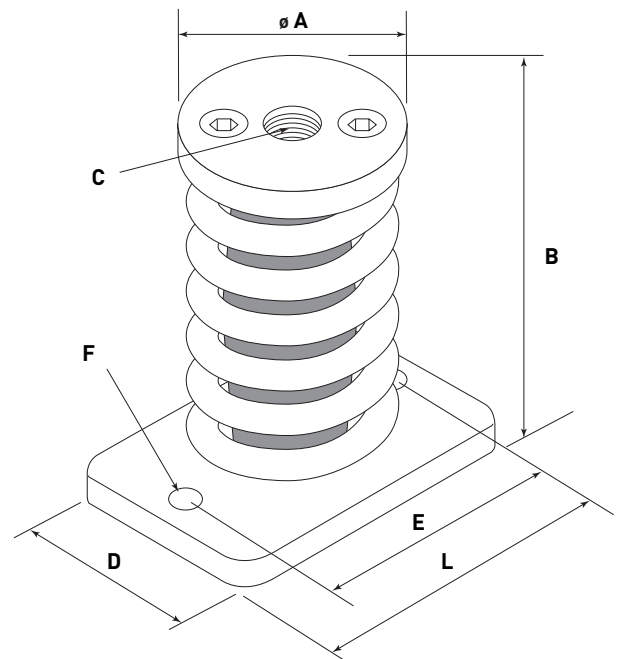
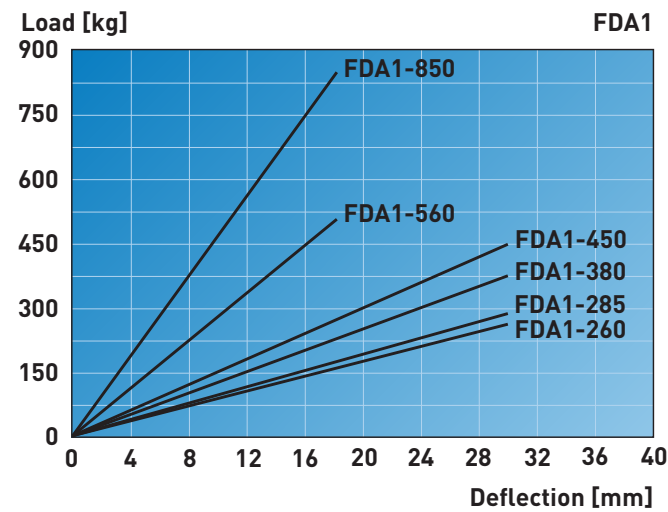
Properties

FDA 1-150, 1-200 FDA, FDA 1-250, FDA 1-350, Vertical natural frequency from 1.6 to 4 Hz.

FDA 1-500, FDA 1-750, Vertical natural frequency of 3 to 4 Hz.

Application

Especially suitable for generators, compressors, fans, pumps, refrigeration equipment, etc.



TYPE	A Ø [mm]	B [mm]	C	D [mm]	E [mm]	F Ø [mm]	L [mm]
FDA1-260	75	120	M12	75	87	10	115
FDA1-285	75	120	M12	75	87	10	115
FDA1-380	75	120	M12	75	87	10	115
FDA1-450	75	120	M12	75	87	10	115
FDA1-560	90	130	M14	100	120	12	150
FDA1-850	90	130	M14	100	120	12	150