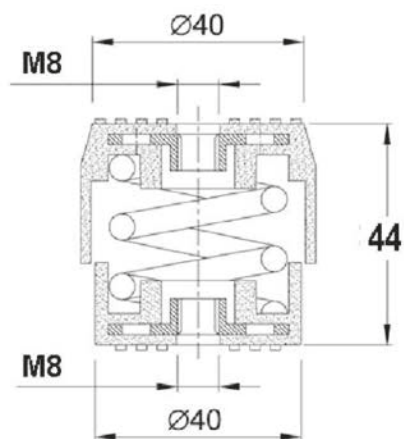
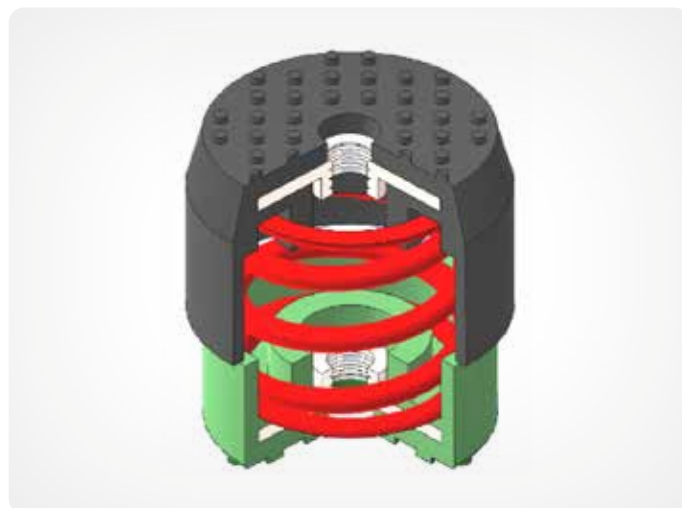


**Product description**

Designed for vibration isolation of smaller machines with a speed of more than 600 rpm. Can handle loads from 3–50 kg. M8 centre threaded and non-slip top and bottom, where the spring is protected from the weather.

**Application**

Especially suitable for Genvex units, heat pumps, small fans and air conditioning systems.



Type	Mount weight [kg]	Stiffness [kg/mm]	Max. load [kg]	Deflection [mm]	Height [mm]
FDHL-05	0.07	0.4	5	13	44
FDHL-09	0.07	0.7	9	12	44
FDHL-12	0.07	1.0	12	12	44
FDHL-20	0.08	1.7	20	12	44
FDHL-26	0.08	2.3	26	11	44
FDHL-30	0.09	3.0	30	10	44
FDHL-40	0.09	4.0	40	10	44
FDHL-50	0.09	5.5	50	9	44