

Product description

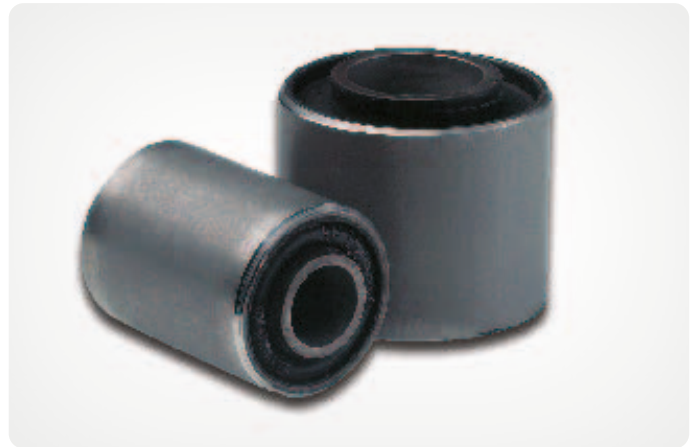
VP Flexible Bush consists of two concentric steel tubes with a rubber layer in-between which is vulcanised to both tubes.

Application

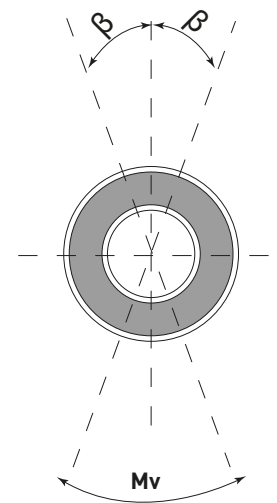
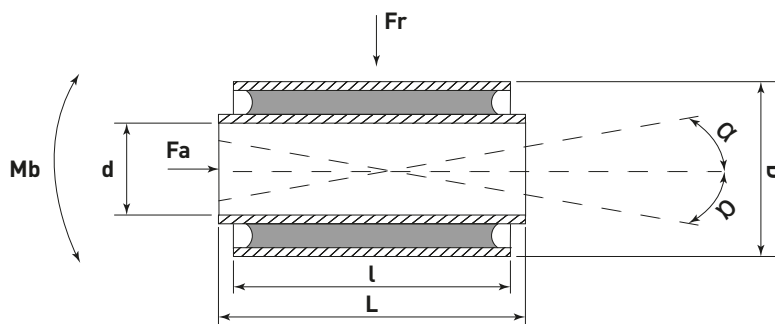
The flexible bush can advantageously be used as bearings in oscillating constructions or machine parts which must be flexible in relation to each other.

Since the rubber can absorb the movement, the bearing does not need lubrication or other regular maintenance. The bush also has good noise and vibration-isolating properties which make the construction quiet and vibration-free.

Examples of uses are linkages in cars, railway wagons, tractors, farm machinery, vibrators and many others



Tolerances	
d	10-25 ±0.1 30-50 ±0.2
D	+0.25 +0.05
l	±0.5
L	±0.25
Hardness	60 ±5 Sh(A)



Type	Radial load		Axial load		Torsion			Bending			Dimensions [mm]			
	Max. Fr [kg]	Stiffness [kg/mm]	Max. Fa [kg]	Stiffness [kg/mm]	Max. Mv [Nm]	Max β [degree]	Stiffness [Nm/degree]	Max. Mb [Nm]	Max α [grad]	Stiffness [Nm/degree]	d	D	L	l
VP10/2525	230	200	75	17	5	15	0.3	6	8	0.7	10	25	25	20
VP10/2540	380	235	150	38	6	15	0.4	38	8	4.8	10	25	40	35
VP15/3530	350	300	150	22	9	15	0.6	12	8	1.5	15	35	30	25
VP15/3550*	600	650	250	52	15	15	1.0	120	8	15.0	15	35	30	25
VP20/4540	680	400	260	33	24	15	1.6	45	8	5.6	20	45	40	35
VP20/4575	1350	800	550	82	48	15	3.2	365	8	46.0	20	45	75	70
VP25/5045	900	450	380	45	46	14	3.3	96	8	12.0	25	50	45	40
VP25/5085	1800	1050	750	96	69	14	4.9	730	8	92.0	25	50	85	80
VP30/6055	1200	500	510	53	78	14	5.6	135	8	17.0	30	60	55	45
VP35/6560*	1600	850	660	72	93	12	7.7	180	6	23.0	35	65	60	50
VP35/65110*	3150	2940	1300	155	200	11	17.0	1560	6	260.0	35	65	110	100
VPP40/7065	1800	1800	750	90	115	10	11.5	205	5	41	40	70	65	55
VPP40/70120	3500	37800	1600	1800	198	9	22	1680	4	420	40	70	120	110
VP45/7570*	2400	2000	1000	110	240	12	20.0	320	7	45.0	45	75	70	60
VPP45/75130	3500	4200	1800	215	272	8	34	4200	5	840	45	75	130	120
VP50/8075	2850	3000	1200	135	275	11	25.0	700	7	100.0	50	80	75	65

*Order goods