

Product description

The VIKASH sandwich mount can handle high compression pressure for static loads as well as shocks. The mount also provides good insulation when subjected to a horizontal load. The mount can be mounted flat or in a "V" combination where the device is at a 45° angle towards the middle of the centre of gravity.

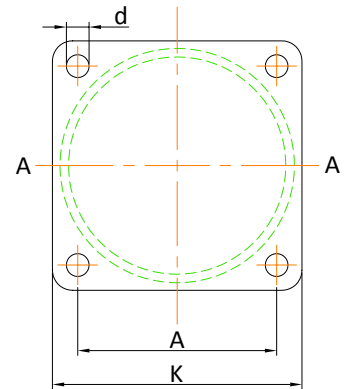
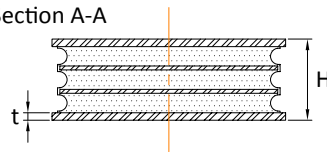
The mount consists of two outer mounting plates with four mounting holes in each one. Between the mounting plates there is vulcanised rubber with stabilising steel plates. Each mount is available in two rubber hardnesses, covering a wide load range between 2 and 30 tonnes.

Application

High compression, low transverse stiffness and relatively low installation height make VIKASH mounts ideal for heavy machinery.



Section A-A



Type	Dimensions					Mount weight (kg)	Compression 40 Sh(A)		Compression 60 Sh(A)	
	H [mm]	A [mm]	O [mm]	d [mm]	t [mm]		Max. load [kg]	Deflection [mm]	Max. load [kg]	Deflection [mm]
VIKASH125	52	118	148	13.5	5	2.6	2250	3.6	4500	3.5
VIKASH150	63	136	166	13.5	6	4.5	3750	4.9	7500	4.2
VIKASH200	85	184	220	17	8	9.2	6000	6.0	12000	5.9
VIKASH300	120	270	310	22	10	27	15000	9.1	30000	9.3

Type	Shear 40 Sh(A)		Shear 60 Sh(A)	
	Maximum load [kg]	Deflection [mm]	Maximum load [kg]	Deflection [mm]
VIKASH125	240	21	550	23
VIKASH150	330	23	800	25
VIKASH200	600	30	1200	28
VIKASH300	1500	43	3300	45

