

U bracket

DU/DUA/BA

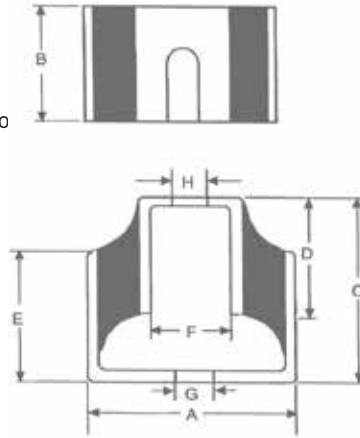
Product description

The double U mount works by plane loading the rubber in two directions. It is very soft. The load compresses the rubber along the long side of the mount, and it is much more rigid in that direction. The standard version is in natural rubber. It can also be ordered as follows:

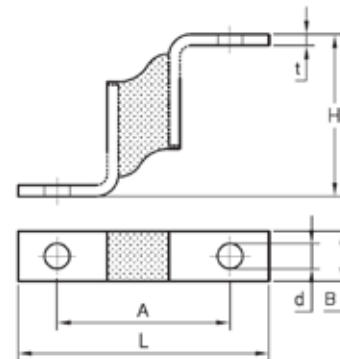
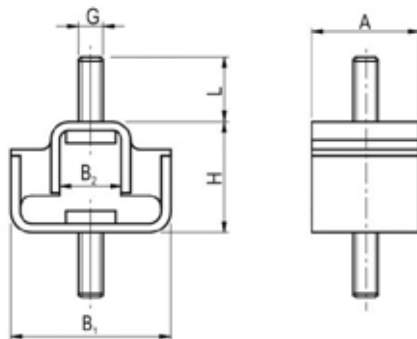
- Rubber hardness: 45, 55 & 70 Sh(A)
- Rubber types CR, EPDM & silicone
- The rubber can be stained

Application

Double U mount can be used in a wide range of devices such as fans, pumps, compressors and vibrators.



Type	A [mm]	C [mm]	B [mm]	G & H [mm]	E [mm]	Hardness 40 Sh(A)		Hardness 50 Sh(A)		Hardness 60 Sh(A)		Hardness 70 Sh(A)	
						Max. load [kg]	Deflection [mm]	Max. load [kg]	Deflection [mm]	Max. load [kg]	Deflection [mm]	Max. load [kg]	Deflection [mm]
DU06041	60	41	50	11	30	40	10	60	10	70	6		
DU07162	71	62	25	11	43	20	10	40	10	60	10	90	10
DU07978	79	78	50	13.5	56	90	10	145	10	200	10	300	10
DU087108	87	108	65	17.5	83	190	10	290	10	400	10	600	10
DU100130	100	130	80	17.5	100	250	10	425	10	620	10	950	10



Type	B1 [mm]	H [mm]	A [mm]	B2 [mm]	L [mm]	G [mm]
DUA5220	52	36	35	20	21	M8
DUA	54	40	50	22	22	M10

Type	A [mm]	B [mm]	L [mm]	H [mm]	d [mm]	t [mm]	Load [kg]	Deflection [mm]
BA020 2A	52	20	80	57	8	4	27	6