

## Product description

These armoured mounts are compact low-profile mountings. They are easy to install and combines 3-way control of movement with relatively large deflection in the elastomer. They combine maximum anti-shock isolation and optimum vibration control, and have been specially designed for mobile equipment applications.

The main characteristic of these isolators is to gradually increase stiffness under deflection, which prevents from any sudden bottoming.

The high-resistance steel centre bolt, mechanically joined to the outer cup, affords security against breakage. This design prevents swivelling and rotation.

## Application

Natural rubber NR type of high quality with an operating temperature from  $-40^{\circ}\text{C}$  to  $+70^{\circ}\text{C}$ .

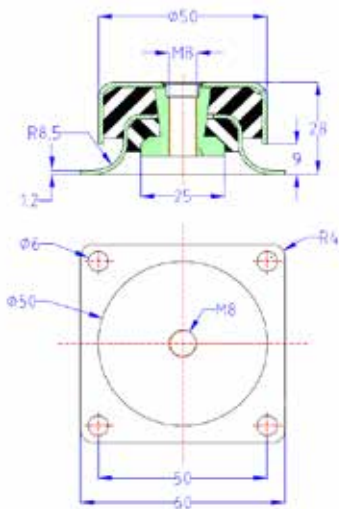
The VMQ elastomer provides the most efficient vibration damping and minimum transmissibility at resonance frequency. With an operating temperature range from  $-60^{\circ}\text{C}$  to  $+250^{\circ}\text{C}$ .

The product is tailored to mobile and marine systems where high damping and stability are required. Has the same stiffness vertically and horizontally.

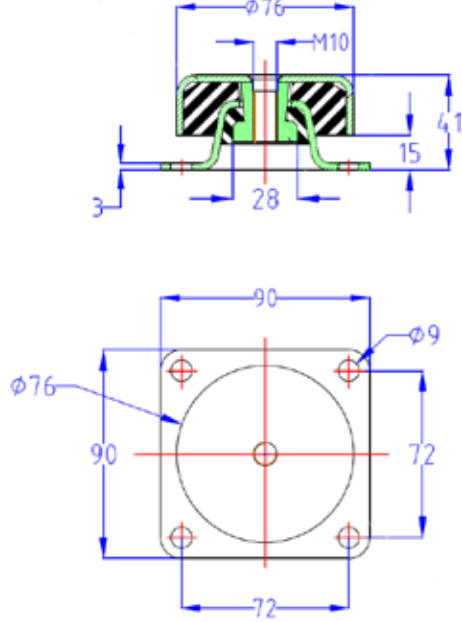


Type	Hardness 35 Sh(A)		Hardness 45 Sh(A)		Hardness 60 Sh(A)		Hardness 75 Sh(A)	
	Max. Load [kg]	Deflection [mm]	Max. Load [kg]	Deflection [mm]	Max. Load [kg]	Deflection [mm]	Max. Load [kg]	Deflection [mm]
SCM060-NR	35	$3 \pm 0.5$	60	$3 \pm 0.5$	125	$3 \pm 0.5$	200	$3 \pm 0.5$
SCM060-WMQ			75	$3 \pm 0.5$	100	$3 \pm 0.5$	150	$3 \pm 0.5$
SCM120/125-NR			80	$3.5 \pm 0.5$	200	$3.5 \pm 0.5$	300	$3.5 \pm 0.5$
SCM120/125-WMQ			80	$3.5 \pm 0.5$	160	$3.5 \pm 0.5$	250	$3.5 \pm 0.5$
SCM220/225-NR	110	$4.5 \pm 0.5$	170	$4.5 \pm 0.5$	300	$4.5 \pm 0.5$	450	$4.5 \pm 0.5$
SCM220/225-WMQ			130	$4.5 \pm 0.5$	220	$4.5 \pm 0.5$	350	$4.5 \pm 0.5$
SCM325-NR			120	$4.5 \pm 0.5$	210	$4.5 \pm 0.5$	330	$4.5 \pm 0.5$
SCM325-WMQ			130	$4.5 \pm 0.5$	220	$4.5 \pm 0.5$	350	$4.5 \pm 0.5$
SCM420/425-NR			350	$6.5 \pm 1.0$	800	$6.5 \pm 1.0$	1400	$6.5 \pm 1.0$
SCM420/425-WMQ			350	$6.5 \pm 1.0$	800	$6.5 \pm 1.0$	1100	$6.5 \pm 1.0$

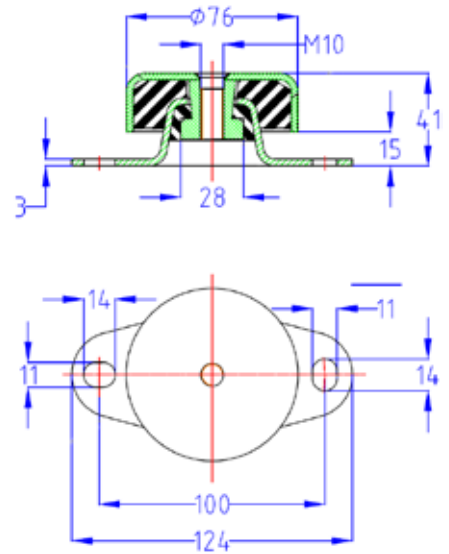
SCM060



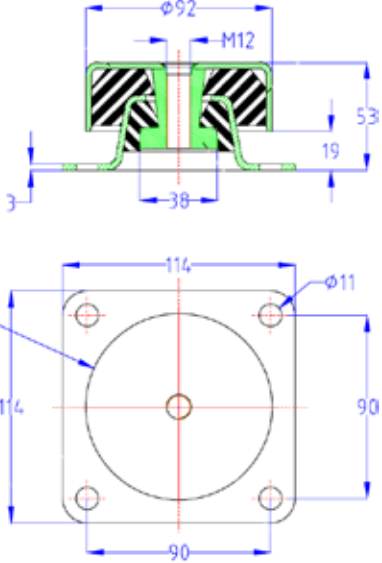
SCM120



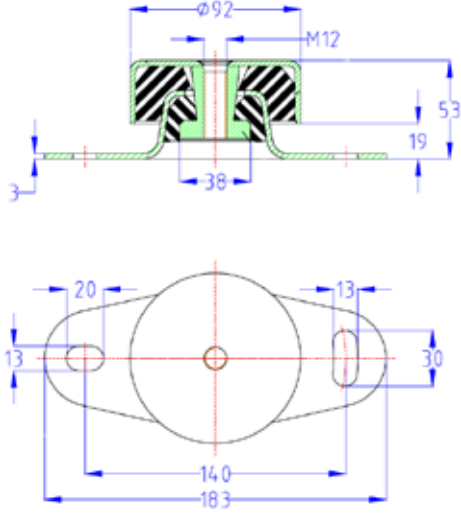
SCM125



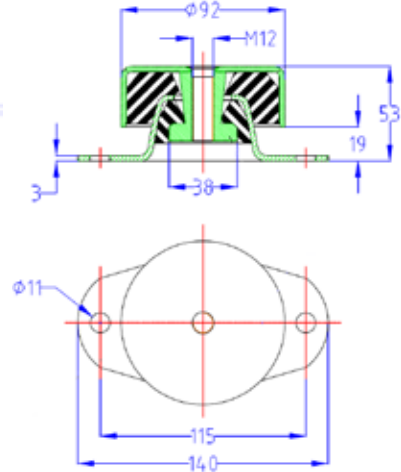
SCM220



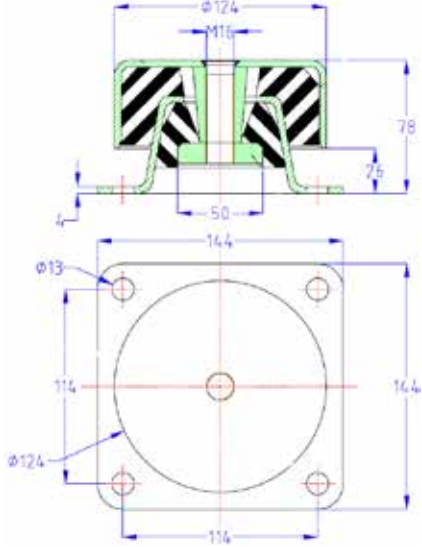
SCM225



SCM325



SCM420



SCM425

